

Mountfield

Mountfield Princess Lawnmower Owner's Manual



8211-0408-01

SAFETY INSTRUCTIONS

SYMBOLS

The following symbols can be found on the machine to remind you of the care and attention that are required during use.

The symbols mean:



Warning! Read the Instruction Book and Safety Manual before using the machine.



Warning! Keep onlookers away. Beware of objects being flung out.



Warning! Before carrying out any repair work make sure the machine is unplugged.



Warning! Keep hands and feet clear of the under chassis when the machine is running.



GENERAL



This symbol indicates **WARNING! Personal injury and/or damage to property may result if the instructions are not followed carefully.**

- Please read through these instructions carefully. Learn all the controls and the correct use of the machine.
- This machine is only intended for mowing lawns. Other use, such as cutting bushes, hedges, climbing plants, etc., is forbidden due to the risk of injury.
- Never allow children or anyone who is not familiar with these instructions to use the lawnmower. Local regulations may impose restrictions as regards the age of the driver.
- Never carry out mowing if others, particularly children or animals, are in the vicinity.
- Remember that the driver is responsible for accidents that happen to other people or their property.

- Do not use the machine if you are under the influence of alcohol, drugs or medication. Neither should you use it when you are tired or feeling unwell.

PREPARATIONS

- Wear strong shoes and long trousers when mowing. Do not operate the machine barefoot or wearing sandals.
- Always use hearing protectors.
- Carefully check the area that is to be mowed and remove all stones, sticks, steel wire and other objects.
- Before use: always check that blades and mounting devices are not worn or damaged. Replace worn or damaged parts as a set so that the correct balance is maintained.

Connecting the machine

- For increased safety, an earth leakage circuit breaker with a breaking current not greater than 30 mA should be connected between the wall socket and the cable.
- Before using the machine, always check that the cable is not damaged. The machine must not be used if the cable is damaged.

OPERATION

- Only mow in daylight or in good lighting conditions.
- If possible, avoid mowing wet grass.
- Be sure to move steadily on slopes.
- Walk, don't run.
- With wheeled lawnmowers, cut across a slope, never up and down.
- Take great care when changing direction on a slope.
- Do not mow slopes with a gradient of more than 15°.
- Take great care when reversing or when pulling the lawnmower towards yourself.
- Shut off the engine if the lawnmower has to be tilted during transport on surfaces other than grass, and when the lawnmower is being transported to and from the area to be mowed.

- Never operate the lawnmower with insufficient protection or without safety devices in place, e.g. the grass collector.
- Start the engine carefully, following the instructions. Keep your feet away from the blades.
- Do not tilt the mower when the engine is started, apart from when the mower has to be tilted when starting. If this is the case, it should not be tilted more than necessary, and the part that is furthest away from the operator should be tilted.
- Keep your hands and feet away from the rotating blade and other rotating parts. If there is an ejector opening, never insert your hand into it.
- The blade bar continues to rotate for a short while after the starter handle has been released.
- Never lift or carry the lawnmower while the engine is running.

Shut off the engine and pull out the plug:

- When you leave the lawnmower.
- To remove sticks and rubbish or when the discharge has become clogged.
- To check, clean or service the machine.
- When you have driven over a foreign object and want to check whether there is any damage as well as carry out repairs before restarting the mower.
- To check the machine if it begins to vibrate excessively. (Check immediately).
- Always ensure that the cable is kept well away from the blade. If the cable is damaged during mowing, stop the machine immediately and disconnect the plug from the wall socket before checking the cable. A damaged cable should be repaired by a qualified electrician or replaced.

MAINTENANCE AND STORAGE

- Check that all nuts and screws are tightened so that the machine is in safe working condition.
- Check frequently for wear and damage to the grass collector.
- For the sake of safety, replace worn or damaged parts.
- Thoroughly clean the mower and store it indoors in a dry place. The machine must not be rinsed with water.
- Store the machine so that children cannot get to it.

ENVIRONMENT

For environmental reasons, we recommend that particular attention is given to the following point:

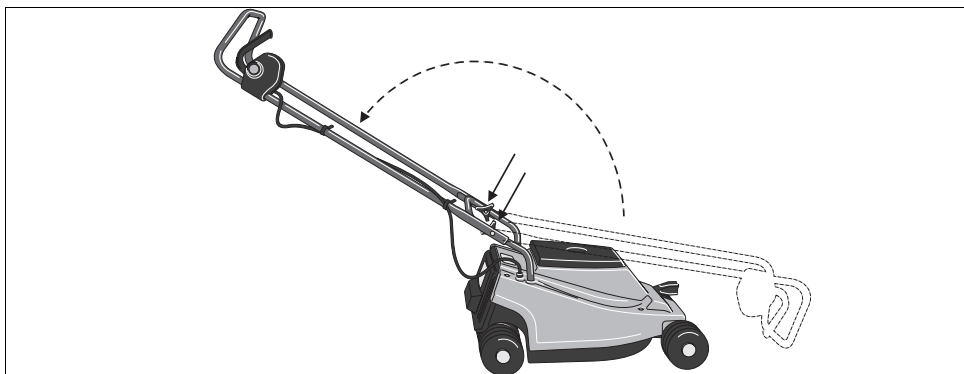
- When your machine has to be replaced after many years of service or is no longer required, we recommend that it is handed in to your dealer for recycling.

INSTALLATION

The mower is factory assembled and only requires the upper handle to be unfolded and the grass collector to be assembled and fitted prior to use.

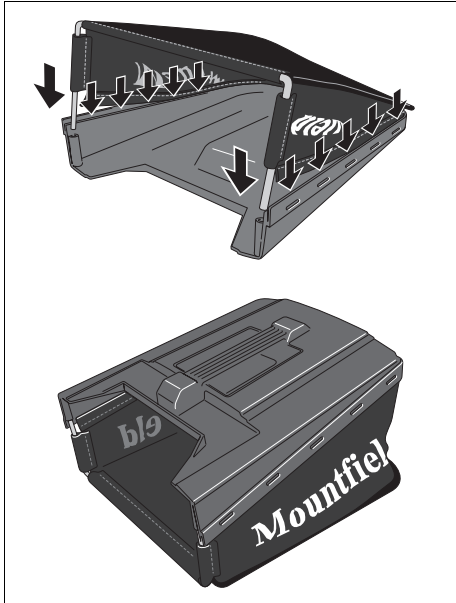
HANDLE

- Unfold the upper handle and secure in position by tightening the bolts and the large plastic knobs.
- Take care not to trap the cable when folding and unfolding the handle.



GRASS COLLECTOR

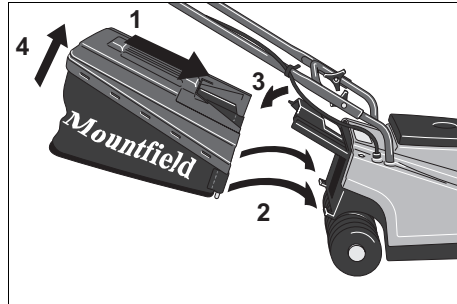
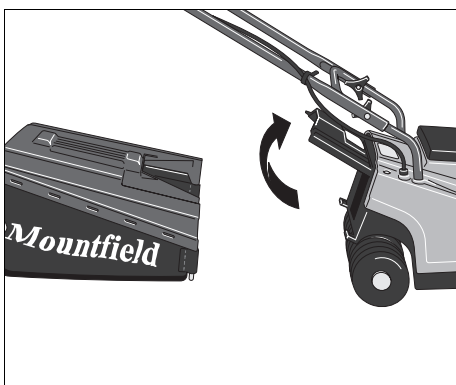
- Fit the fabric bag over the steel frame and then snap the bag onto the plastic lid.



- Lift the deflector.
- Locate the corners of the collector frame in the bottom of the mower backplate and pivot the collector so that it rests on the back of the machine.



Never use the mower without the grass collector fitted on the machine.



USING THE LAWNMOWER

CONNECTION

Only use the machine with the cable supplied with your mower.

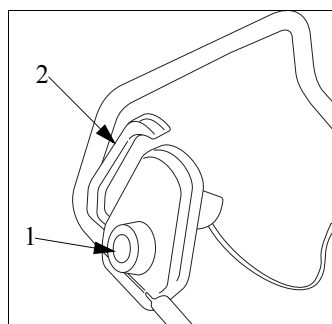
If the cable is damaged, it must be replaced by an authorised serviced dealer. Use only original spare part **1114-0049-01**.

START / STOP

Start the lawnmower on a flat, firm surface. Do not start in long grass. Press the handle down so that the front wheels are raised slightly from the ground to reduce grass resistance

Starting the motor:

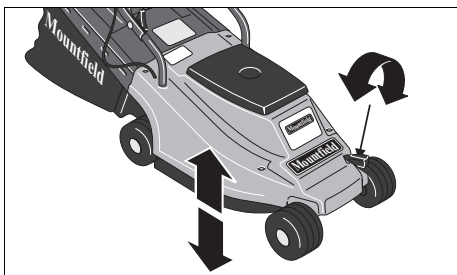
1. Press the button.
2. Squeeze the handle towards the handlebar.



Stopping the motor: Release the handle.

CUTTING HEIGHT

The cutting height is adjusted by the knob on the front of the mower.
Turn clockwise to raise, anticlockwise to lower.



Note! Do not adjust the cutting height when the motor is running.

CUTTING

Always cut away from the cable.

Empty the grass collector in good time to ensure that the grass ejector does not become blocked, so impairing the collecting ability.

To avoid overloading the motor, do not push the lawnmower too fast in long grass.

MAINTENANCE

CHANGING THE BLADE

Always unplug at the mains before performing maintenance, cleaning or other work on the machine.

Wear protective gloves. Loosen the blade bolt with the tool provided with the machine. Fit the new blade, tightening torque 30 Nm.

Always use genuine spare parts.

CLEANING/STORAGE

After use, always clean the lawnmower with a brush or cloth.

The cooling air intake around the motor casing must be kept free from grass and dirt so that the motor does not overheat.

The underside of the chassis can be scraped clean. Never rinse with water.

The lawnmower must be stored dry.

SERVICING

Original spare parts are supplied by authorised dealers.

ACCESSORIES/SPARE PARTS



Always use genuine spare parts and accessories. Non-genuine spare parts and accessories have not been checked and approved by the lawnmower manufacturer. The use of non-genuine spare parts and accessories can entail a risk of injury, even if they fit the machine. The lawnmower manufacturer accepts no responsibility for injury or damage caused by such parts or accessories.

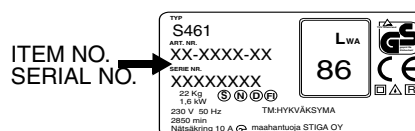
Genuine spare parts are supplied by authorised service stations and by many dealers.

We recommend that the machine is handed in to an authorised service workshop for service, maintenance and checking of safety devices once a year.

PRODUCT IDENTITY

The product's identity is determined by the machine's item and serial numbers.

Found on this sticker affixed to the machine's chassis:



Use these identification terms during all contact with authorised service dealers when purchasing spare parts.

As soon as possible after acquiring the machine, the above number should be written in on the last page of this publication.

The lawnmower manufacturer reserves the right to make alterations to the product without prior notification.

PURCHASE TERMS

A full guarantee is issued against manufacturing and material defects. The user must carefully fol-

low the instructions given in the enclosed documentation.

Guarantee period

For consumer use: two years from the purchase date.

For professional use: three months from the purchase date.

Exceptions

The guarantee does not cover damage due to:

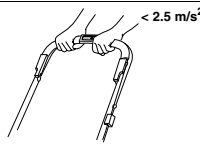

- neglect of the user to acquaint himself with accompanying documentation
- carelessness
- incorrect and non-permitted use or assembly
- the use of non-genuine spare parts

- the use of accessories not supplied or approved by the manufacturer

Neither does the guarantee cover:

- wearing components such as blades, belts, wheels and cables
- normal wear
- motors. These are covered by the appropriate manufacturer's guarantees with separate terms and conditions.

The purchaser is covered by each country's national laws. The rights to which the purchaser is entitled with the support of these laws are not restricted by this guarantee.

EC conformity declaration			
1. Category	Lawnmower with electric engine	8. Make	Mountfield
2. Type	E531	9. Cutting width	35 cm
3. Item no	12-2562	10. Serial number	See label on chassis
4. Manufacturer	STIGA Produktion AB P.O. Box 1006 SE-573 28 Tranås Sweden	11. Engine	
5. Vibration (ISO 5349)		Make	ATB
		Model	BSRBF 0,75/2-C45
		12. Rotation speed	2800 rpm
6A. Guaranteed sound power level (LWA)	87 dB(A)		
6B. Measured sound power level	86 dB(A)		
7. Notified body	ITS Testing & Certification Ltd Notified Body representative 0359		
This product conforms to - Low Voltage Directive 73/23/EEC - Electromagnetic Compatibility Directive 89/336/EEC - Machinery Directive 98/37/EEC with special reference to appendix 1 of the directive regarding essential health and safety requirements in conjunction with manufacturing - Noise Emission Directive 2000/14/EC		 Mats Antonsson Managing Director Issued in Tranås 2002-02-18	

Mountfield

Manufactured by Stiga AB, Sweden
www.stiga.com