

STIGA

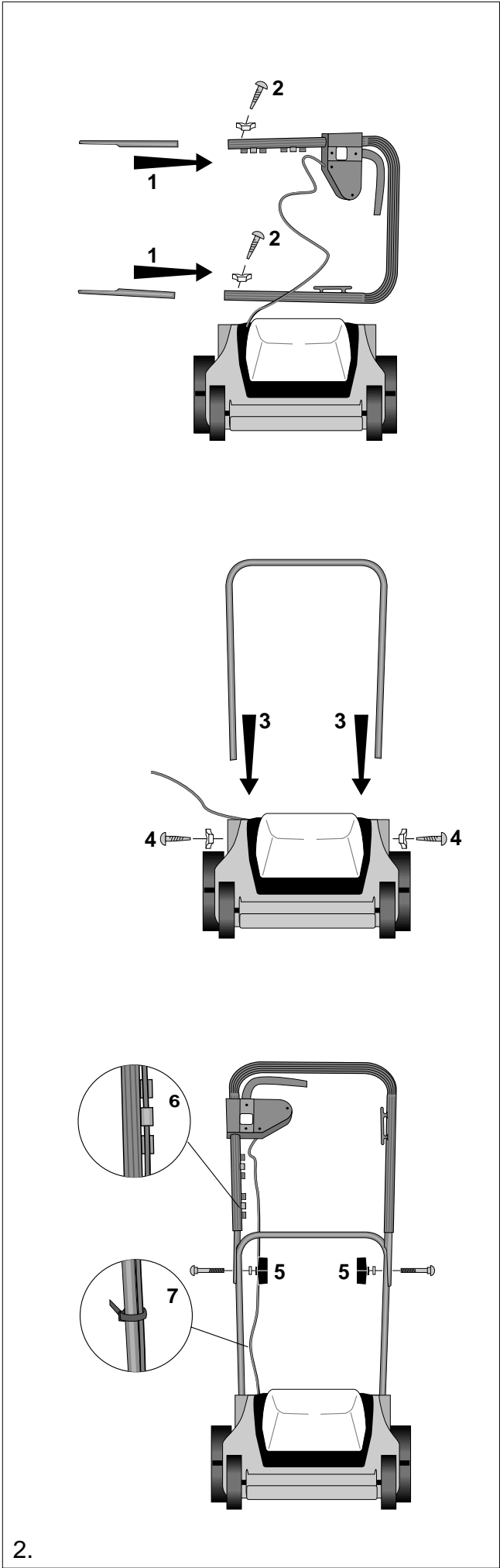
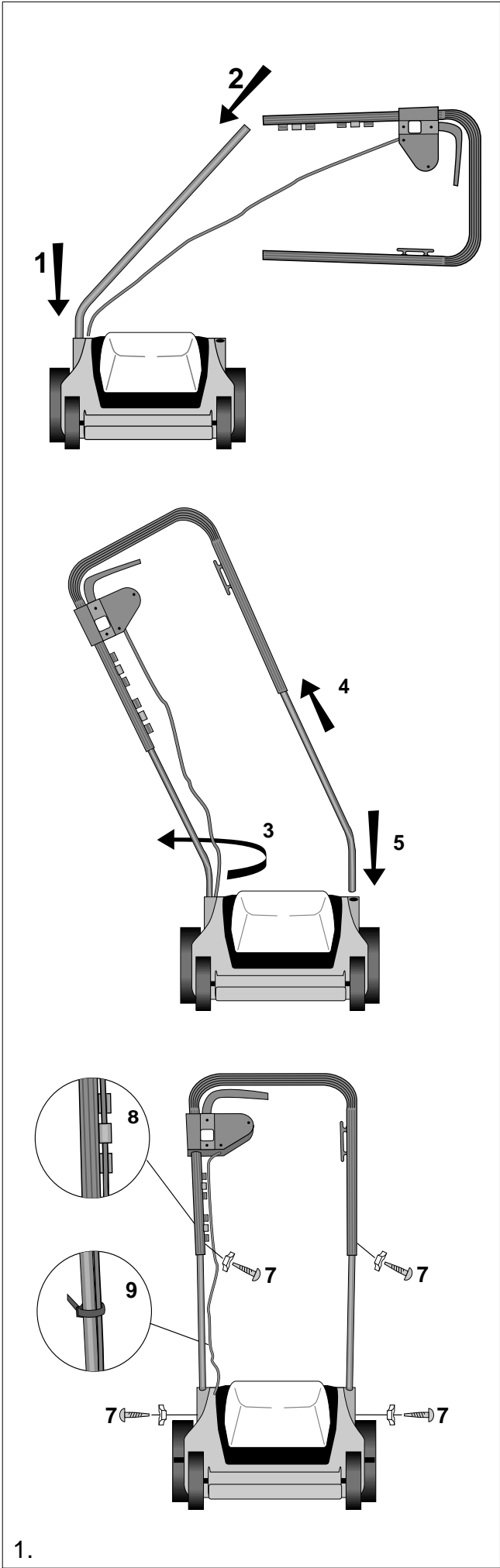
SILENT 33

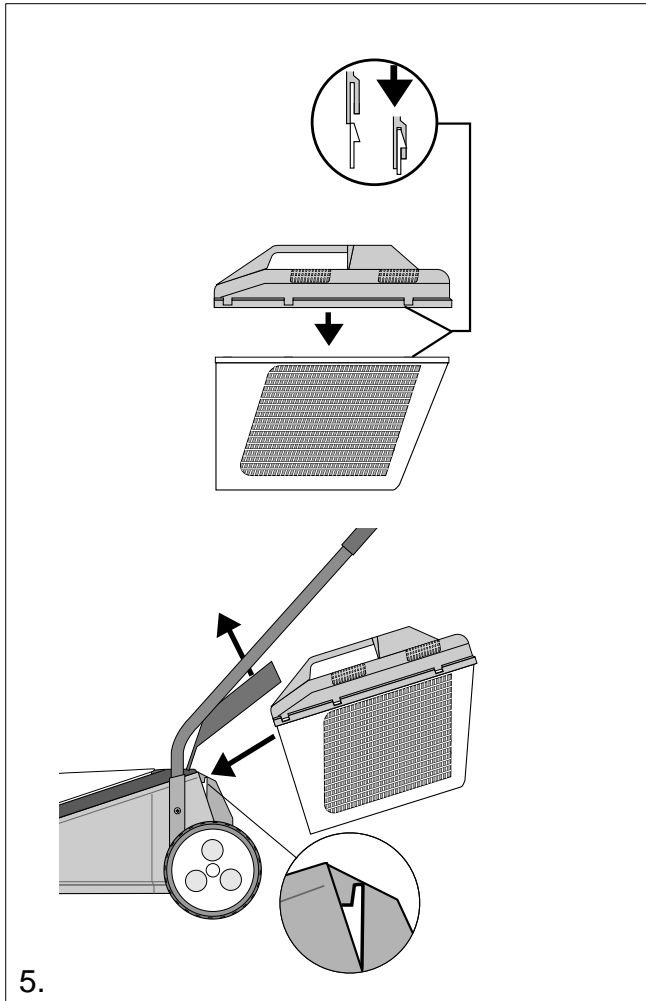
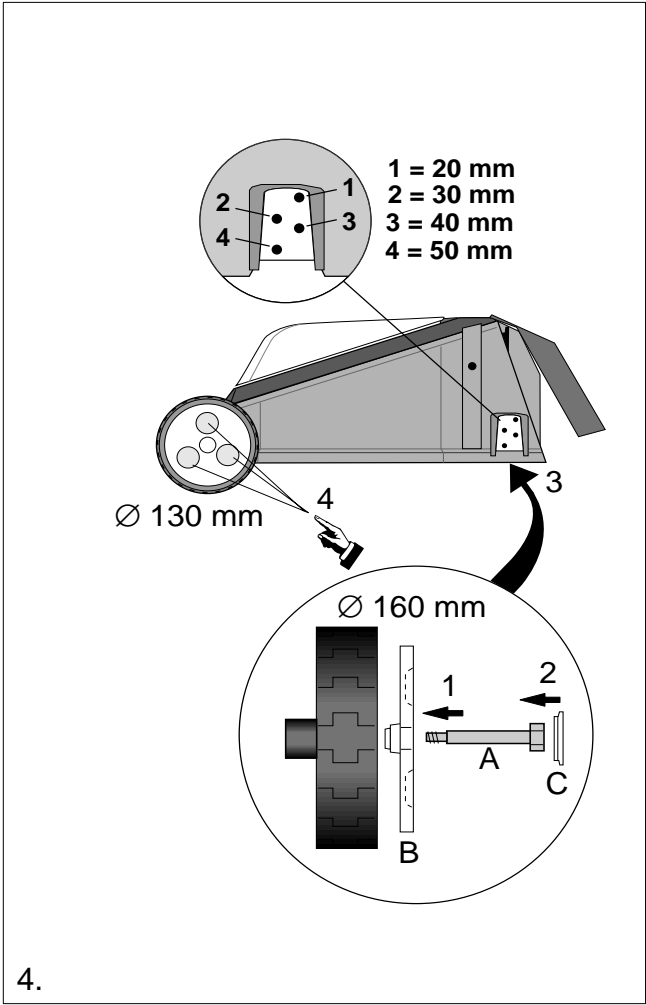
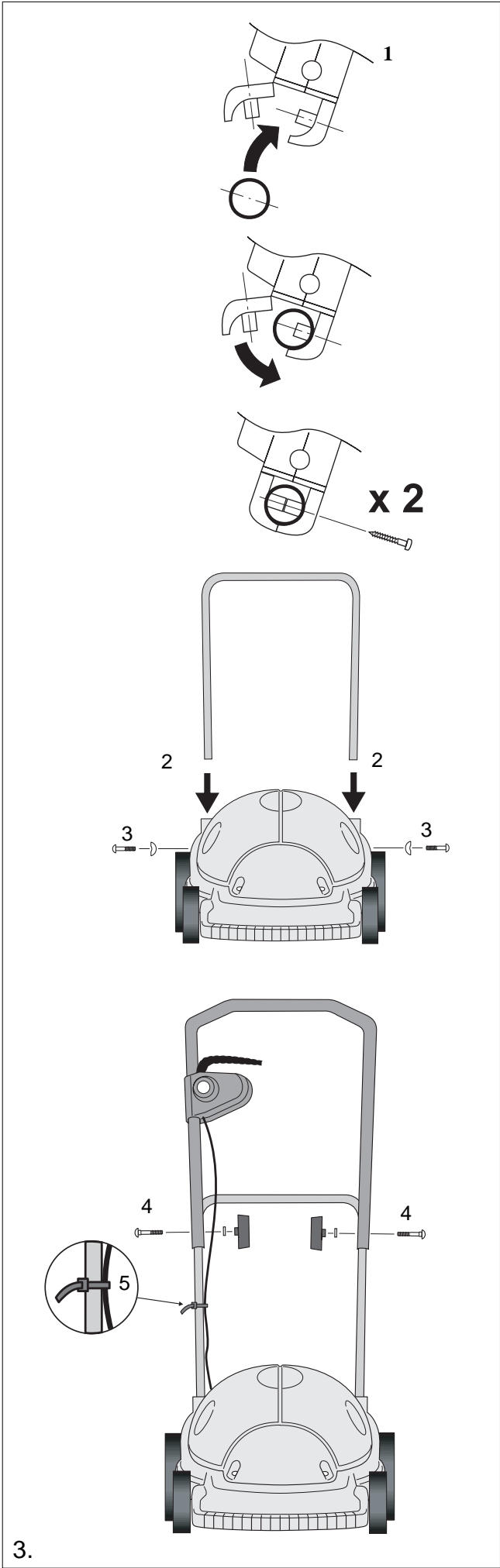
EURO 33

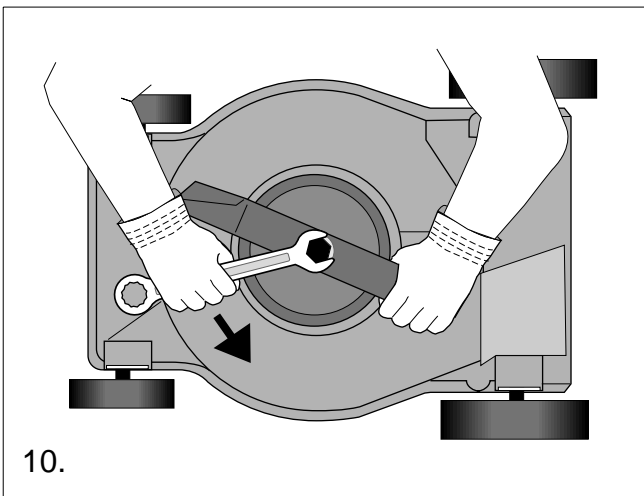
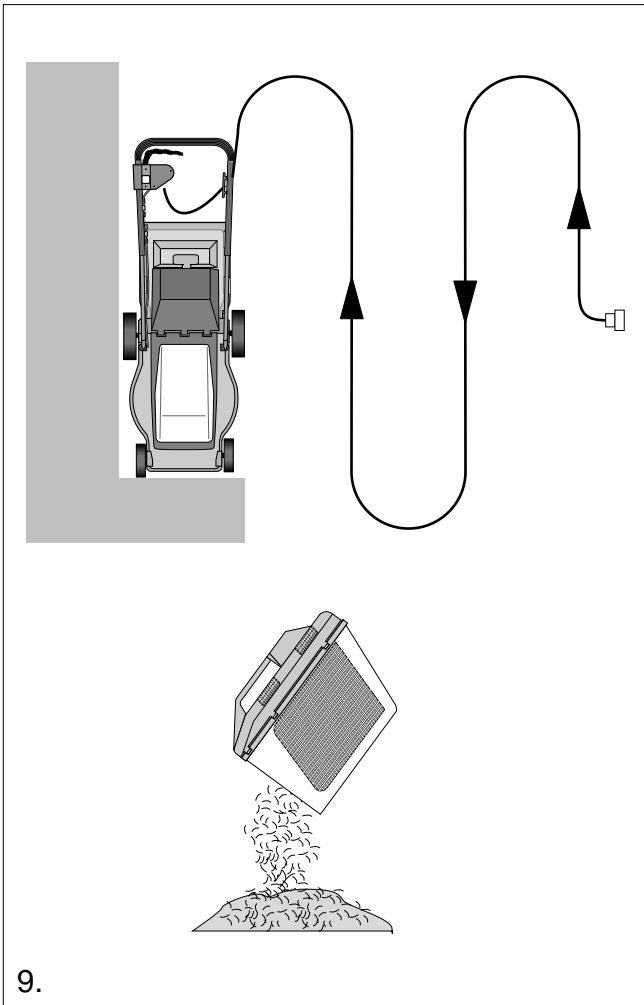
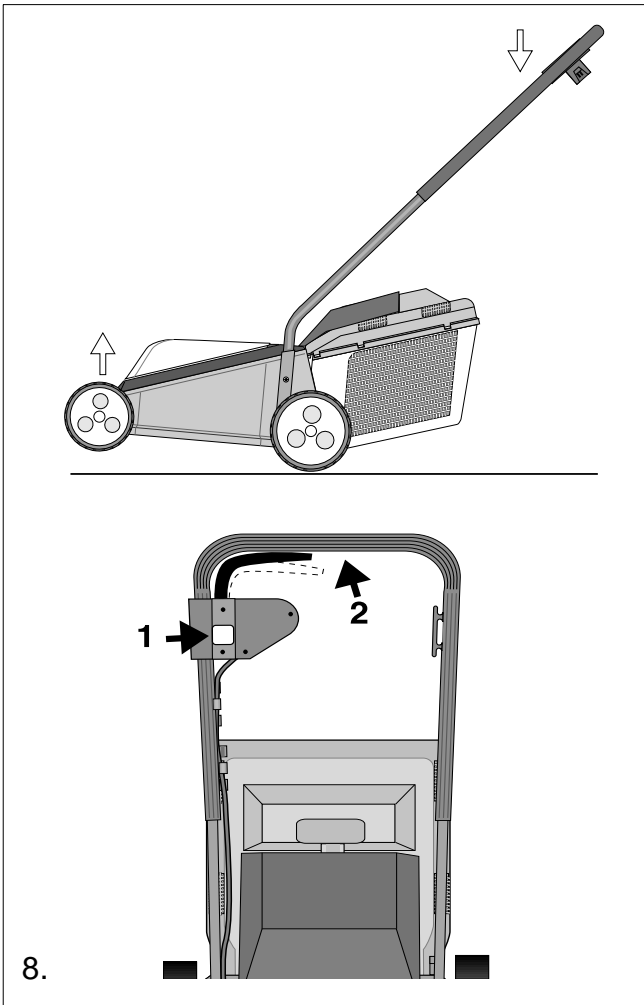
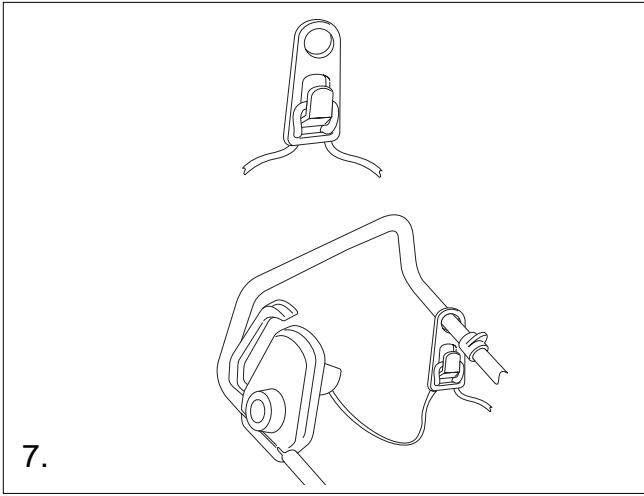
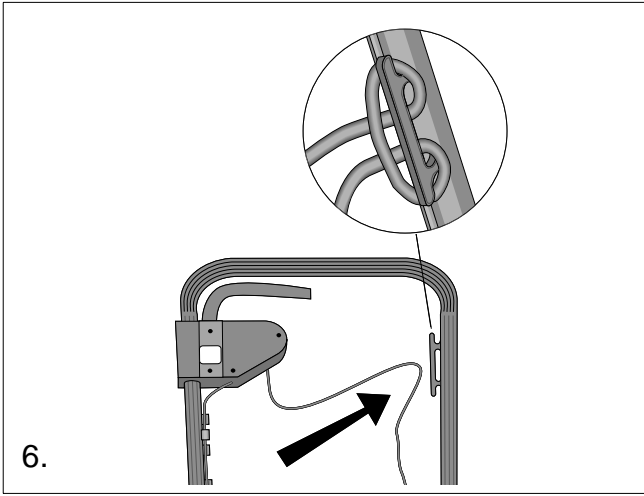
COLLECTOR 33

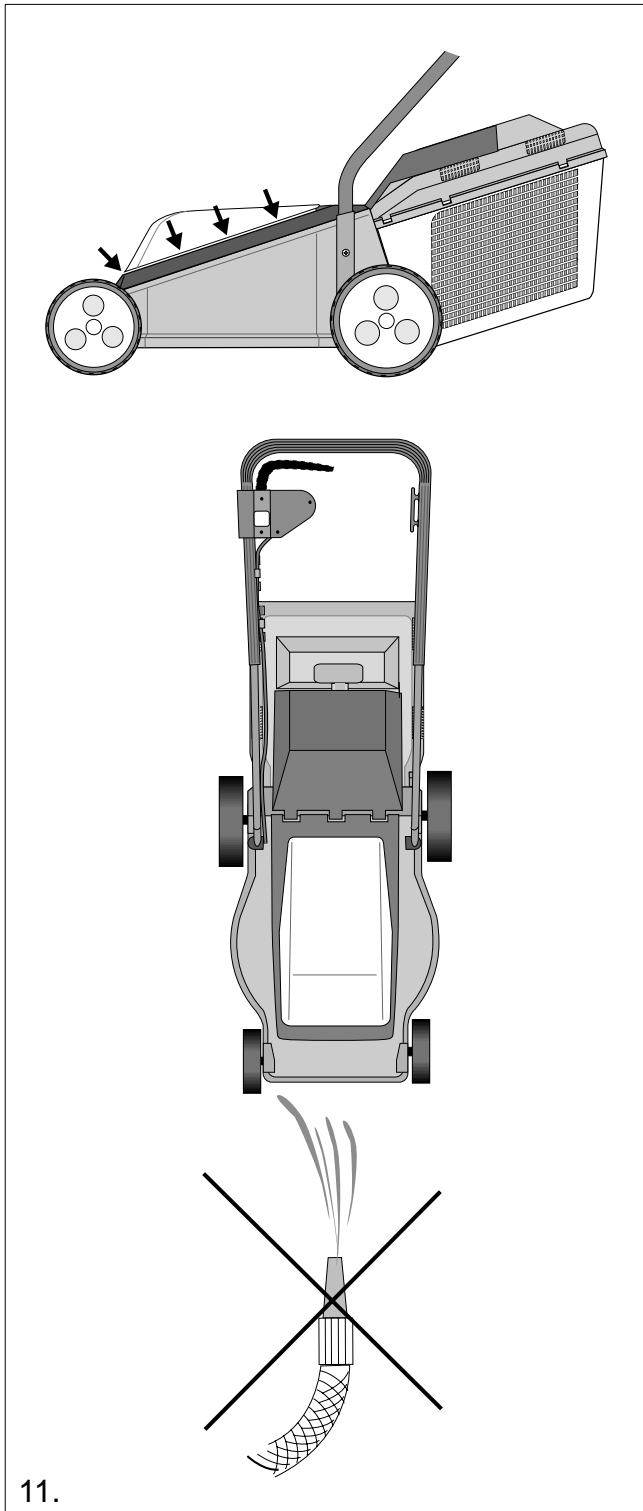
8211-0207-09

STIGA[®]
MOWING AHEAD









DK INFORMATION OM STRØMFORBRUG

Flere og flere maskiner, som f.eks. plæneklippere, højtryksrensere pumper og kompostkværne bliver elektriske. Det gør de bl.a. fordi dette som helhed giver et bedre miljø; ingen udstødning, lavere støjniveau, lettere vedligeholdelse, ingen startproblemer.

For at disse maskiner skal kunne have samme virkningsgrad som f.eks. benzindrevne, bruger de flere watt end man normalt bruger når man anvender elektriske husholdningsapparater, således finder man et wattforbrug fra 500 op til 2500 watt.

Det store wattforbrug betyder at der skal flere amp. til.

Således kan man regne med at der fra ca. 1300 watt skal bruges 10 amp. sikringer og over ca. 2000 watt skal der bruges 16 amp.

Hvor mange amp. der skal bruges afhænger af hvor stor en motor der sidder på pågældende maskine, hvor mange watt (hk) maskinen bruger, hvor stor en startstrøm og/eller brugsstrøm og hvilken ledning man bruger.

Jo flere watt maskinen skal have igennem en ledning jo tykkere skal ledningen være, og ligeledes jo længere ledningen skal være jo tykkere skal den også være. Har man problemer med for lidt strøm = for få amp. springer sikringen

Fejlen kan være :

- For få amp. til den pågældende maskine.
- Har man 10 amp. kan gruppen være belastet af andre elektriske apparater og der er således ikke alle 10 amp. til rådighed.
- Ledningen er for tynd og/eller for lang.




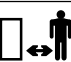








Fejlen kan afhjælpes ved:

- at anvende en 16 amp. gruppe, man kan i dag tage 220 volt 16 amp. ud af 380 volt (dette kræver hjælp fra en elektriker)
- at anvende en 13 amp. sikring der sættes i hvor der nu er 10 amp.
- at sørge for at intet andet er tændt på gruppen når man skal køre maskinen.
- at bruge en tykkere ledning vi anbefaler en 1,5 mm², en almindelig husholdningsledning er ca. 0,5 - 0,7 mm².

SYMBOLS

The following symbols are displayed on the machine in order to remind you about the safety precautions and attention necessary when using the machine.

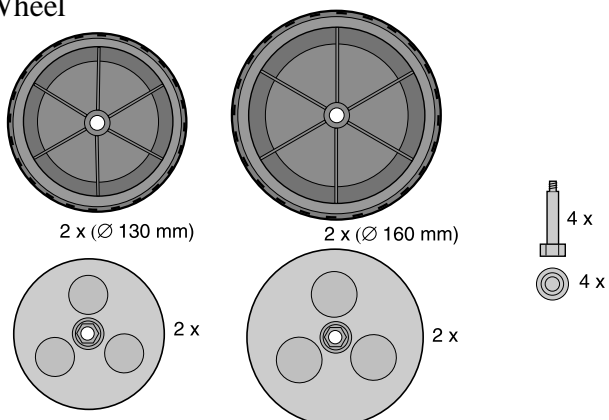
The symbols mean:

-  Warning! Read the Instruction Book and Safety Manual before using the machine.
- 
-  Warning! Keep spectators away. Beware of objects being flung out.
- 
-  Warning! Before starting any repair work, disconnect the plug from the wall socket.
- 
-  Warning! Keep the extension cord away from the cutting deck.
- 
-  Warning! Do not put hands or feet under the cover of the machine when it is running.
- 
-  Warning! The blades continue to rotate even after the machine has been switched off.
- 

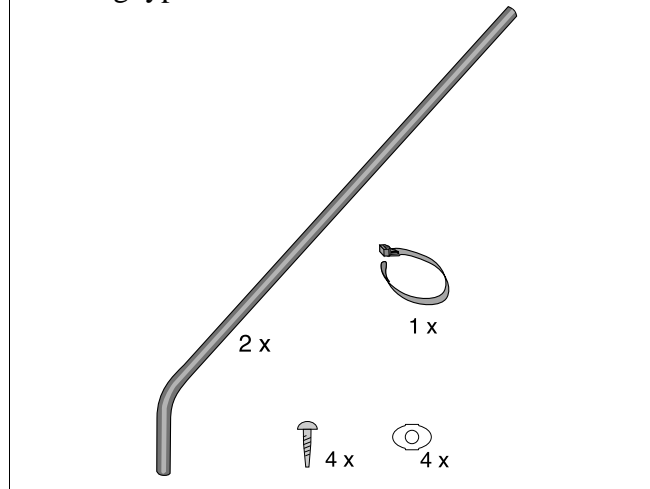
ASSEMBLING

PARTS TO ASSEMBLE

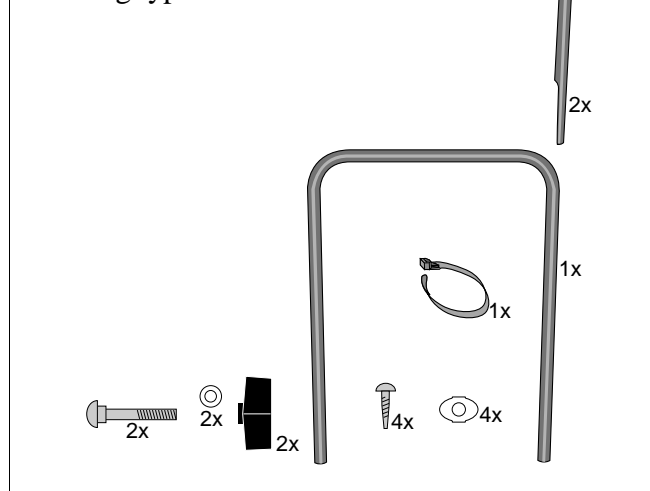
Wheel



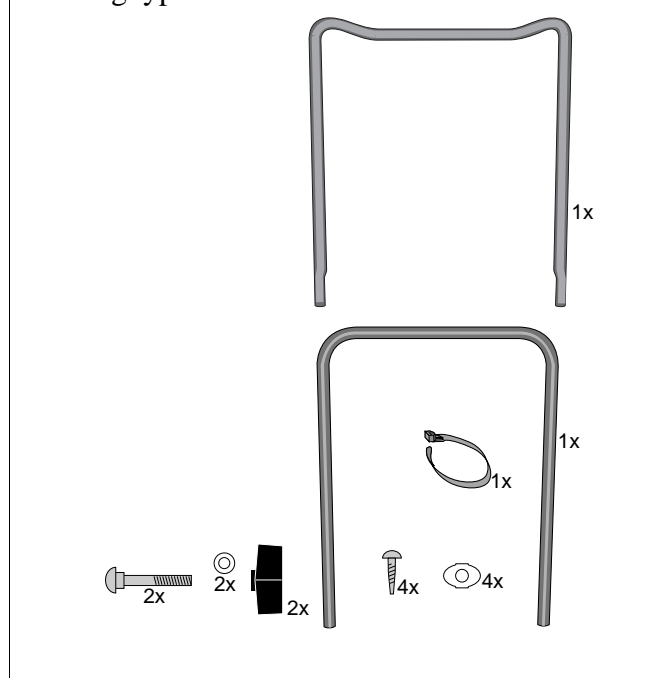
Steering type I



Steering type II



Steering type III



TOOLS FOR ASSEMBLY



WHEELS/CUTTING HEIGHT (fig. 4)

1. Insert the wheel bolt A in the hub cap B.
2. Snap-on the centre cup C.
3. Fit the wheel in one of the fixing plate's four positions.
4. Tighten securely by hand using the finger-grip holes in the hub cap.

NOTE! The same cutting height should be set on all four wheels.

STEERING TYPE I (fig. 1)

1. Insert a steering tube into the bracket on the left-hand side as illustrated.
2. Slide in the steering's upper section.
3. Turn the entire steering in the opposite direction as illustrated.
4. Insert the other steering tube into the upper section.
5. Insert the steering tube into the bracket on the right-hand side.
6. Turn back the entire steering into the upright position.
7. Fit the screws. Tighten securely.
8. Secure the electrical cable into the cable holder.
9. Fix the electrical cable using a cable tie.

STEERING TYPE II (fig. 2)

1. Insert the steering shaft into the handlebar arch.
2. Fit the screws. Tighten securely.
3. Press the steering sockets into the holes in the chassis.
4. Fit the screws. Tighten securely.
5. Attach the handlebar to the steering sockets using screws, washers and locking knobs. The handlebar can be tilted forward by loosening the locking knobs slightly. The mower will then take up less space during transportation.
6. Secure the electrical cable into the cable holder.

7. Fix the electrical cable using a cable tie.

STEERING TYPE III (fig. 3)

1. Make sure that the holes in the handle are on the right side. Align the pins on the switch with the holes in the handle. Make sure that the cable does not get caught and that the button is on the outside. Carefully clamp the mount so that it fits securely around the handle.

Install the screws. Tighten properly.

2. Press the handle mounts down into the holes in the chassis.
3. Install the screws. Tighten properly.
4. Install the handle on the handle mounts with screws, washers and locking wheels. By unscrewing the locking wheels a little, the handle can be folded forward. The mower then takes up less room e.g. during transport.
5. Secure the power cable with cable ties.

GRASS COLLECTOR (fig. 5)

Snap-together the grass collector's upper and lower parts.

Open the cover on the machine and hook the grass collector onto the chassis.

NOTE! The lawn mower can be used without the grass collector. The grass will then collect in a bead behind the machine.

USING THE MOWER

CONNECTION (fig. 6, 7)

Only use an extension cable that is approved for outdoor use with a maximum length of 50 m. It should not be lighter than type 245 IEC 53 (H05RR-F) or 227 IEC 53 (H05VV-F). If you are unsure of anything, please contact your dealer.

To increase safety the lawn mower should be connected to an earth-fault breaker.

Support the extension cable in the cable support on the steering.

START/STOP (fig. 8)

Start the mower on flat, solid ground. Do not start in long grass. Press on the steering so that the front wheels lift slightly from the ground to reduce grass

resistance.

Starting the motor:

1. Press the button
2. Pull the handle towards the steering.

Stopping the motor: Release the handle.

CUTTING (fig. 9)

Always cut away from the cable.

Empty the grass collector in good time so that the grass deflector does not get blocked and reduce grass collection capacity.

To avoid overloading the motor, do not push the mower too quickly in long grass.

MAINTENANCE

CHANGING BLADES (fig. 10)

Always pull out the plug before carrying out maintenance, cleaning or other actions on the machine.

Wear protective gloves. Loosen the blade bolts using a 26 mm spanner. Fit a new blade. Tightening torque 15 Nm.

Always use genuine spare parts.

CLEANING AND STORAGE (fig. 11)

Always wipe or brush off the mower after use.

The cold air intake around the motor casing should always be kept free from grass and dirt so that the motor does not overheat.

The underside of the chassis can be scraped clean. Never rinse with water.

The mower should be stored in the dry.



MOWING AHEAD

GGP Sweden AB • Box 1006 • SE-573 28 TRANÅS

www.stiga.com