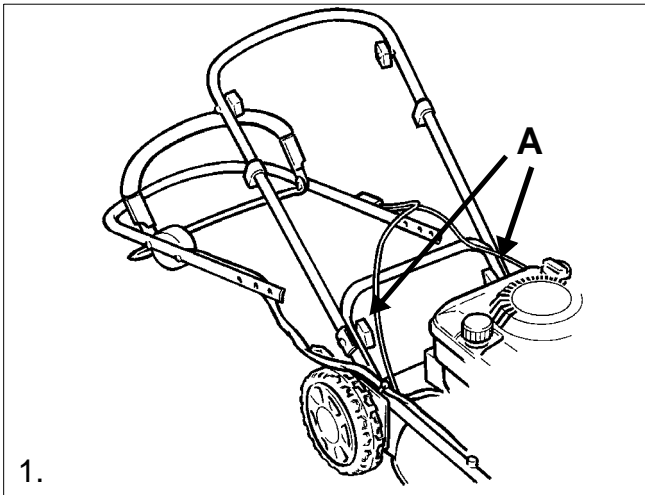


STIGA

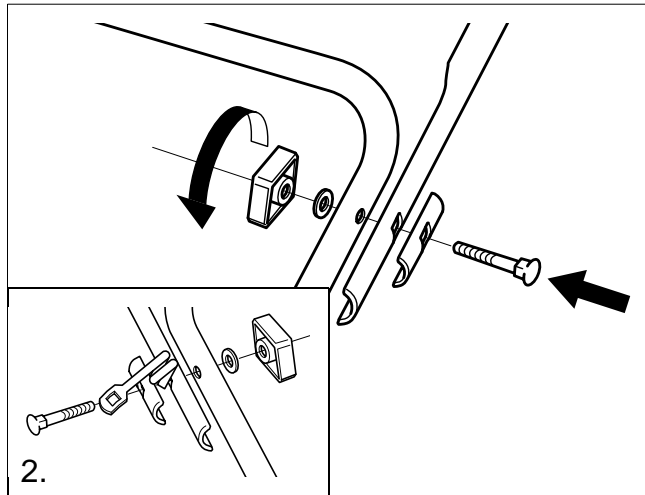


Multiclip

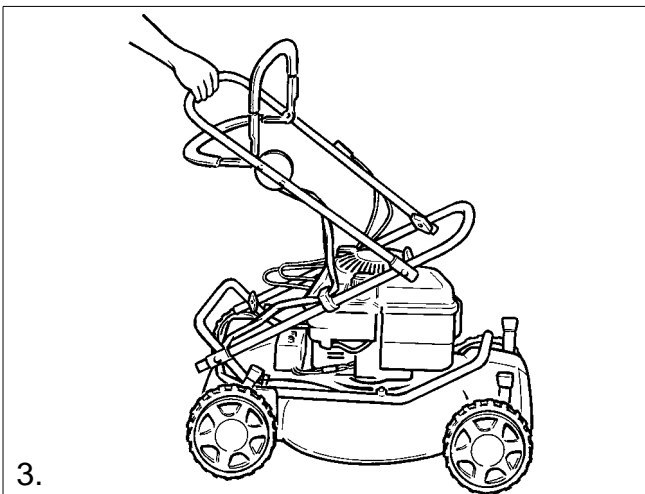
46 S
46 SE



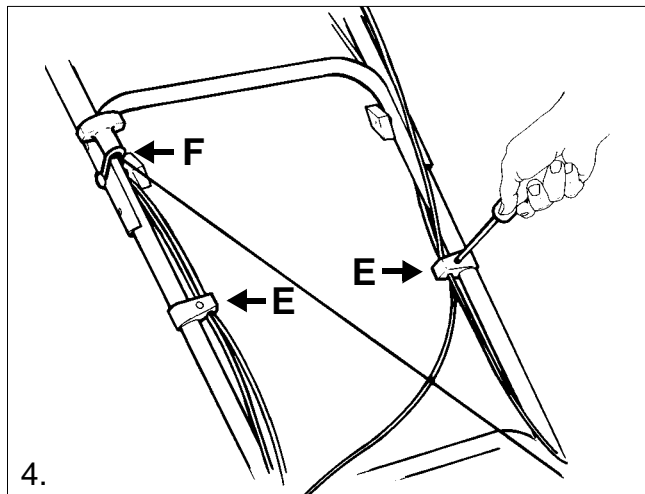
1.



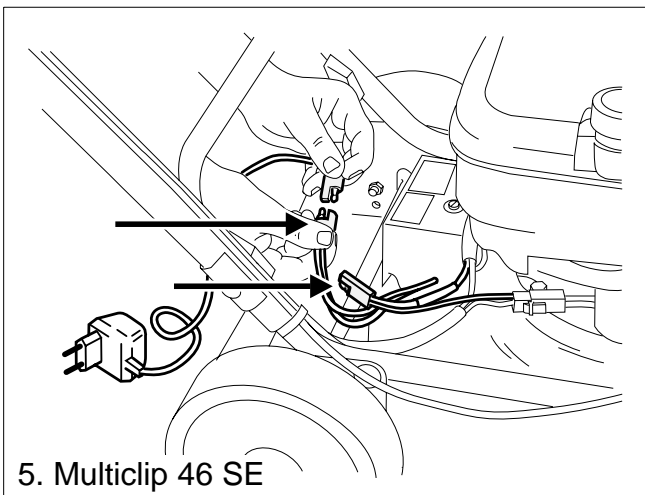
2.



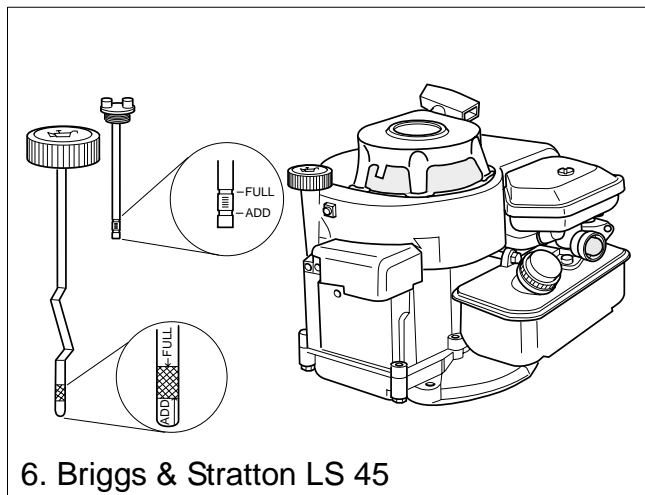
3.



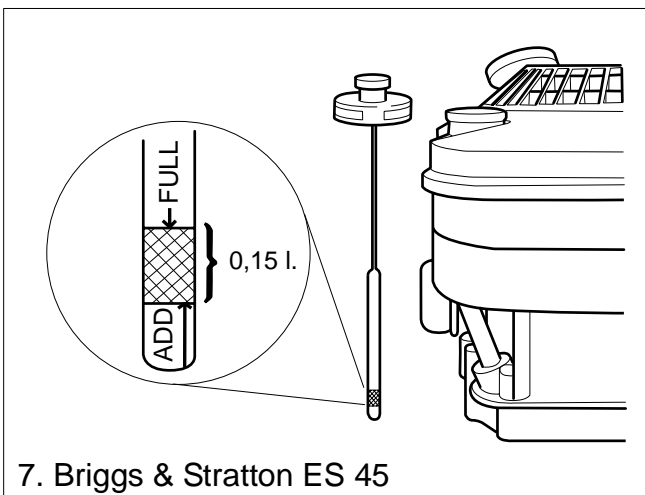
4.



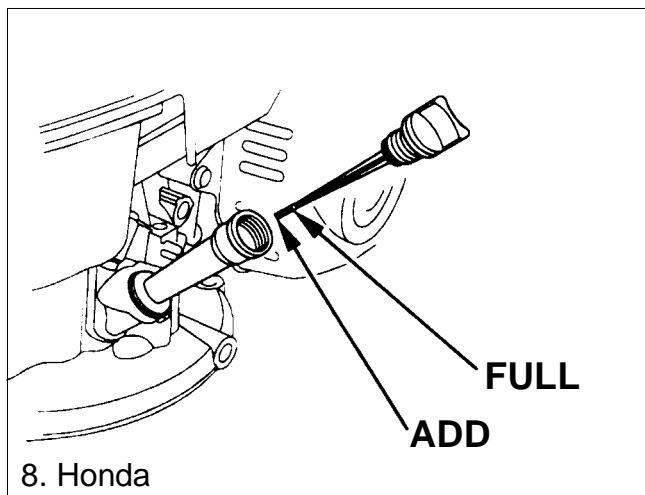
5. Multiclip 46 SE



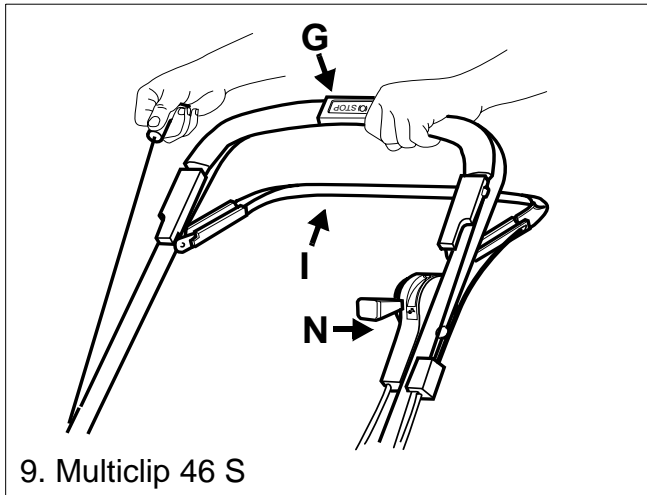
6. Briggs & Stratton LS 45



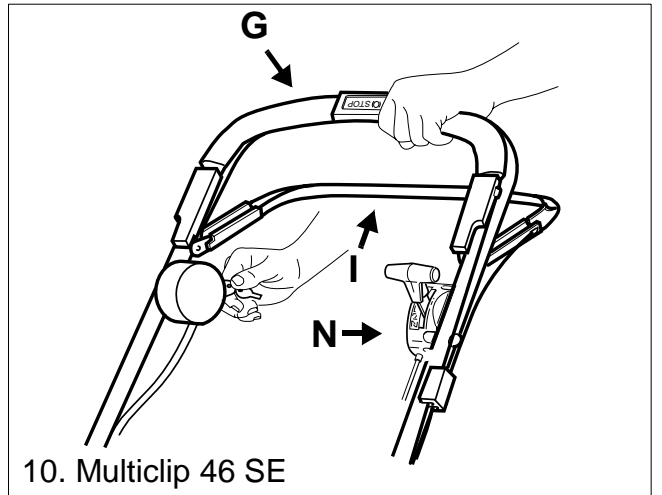
7. Briggs & Stratton ES 45



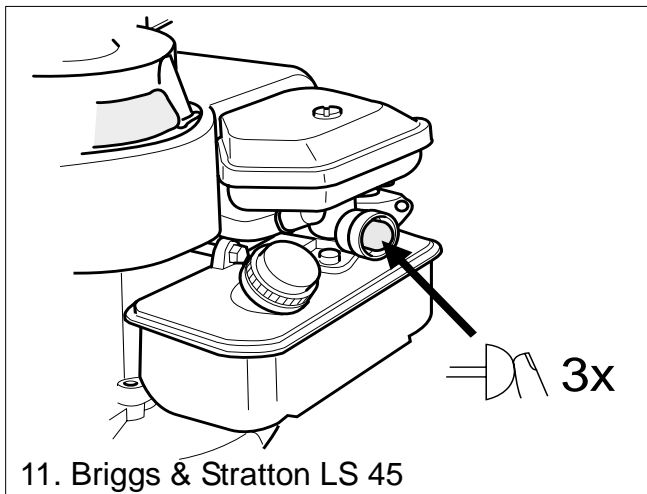
8. Honda



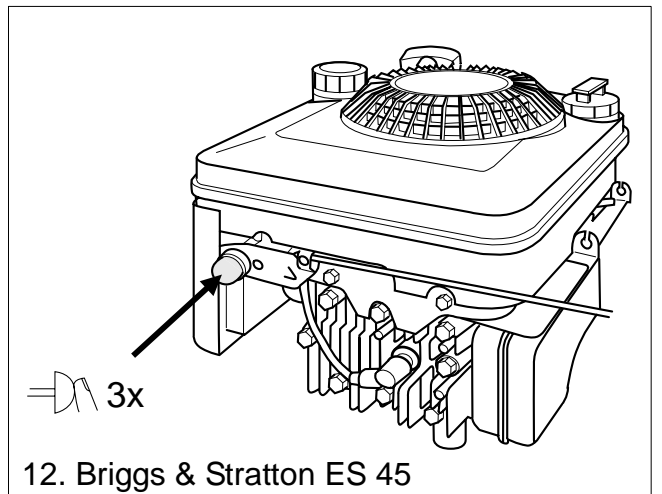
9. Multiclip 46 S



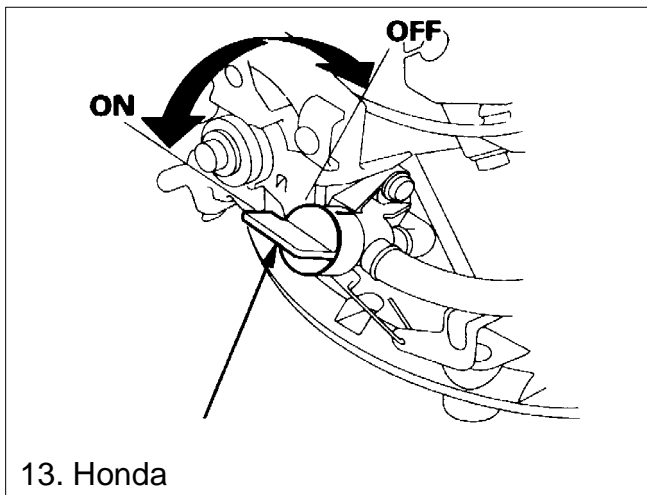
10. Multiclip 46 SE



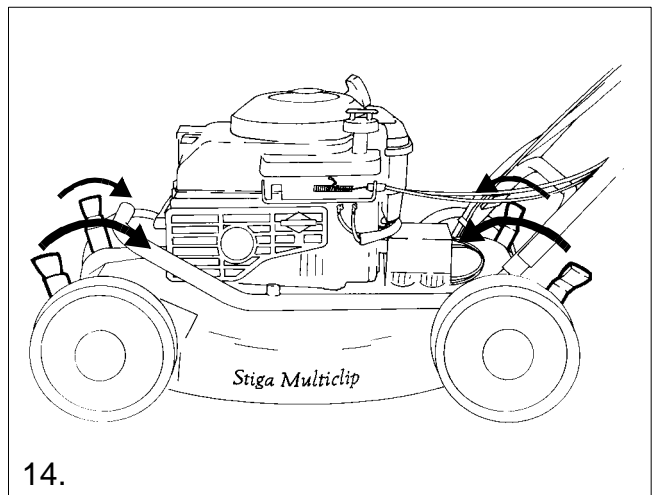
11. Briggs & Stratton LS 45



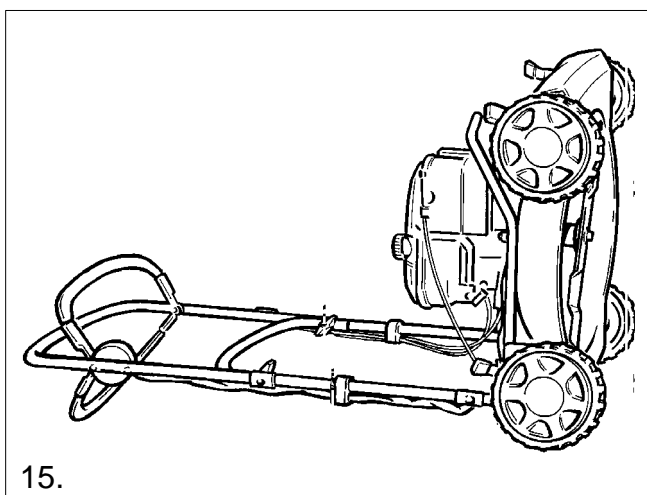
12. Briggs & Stratton ES 45



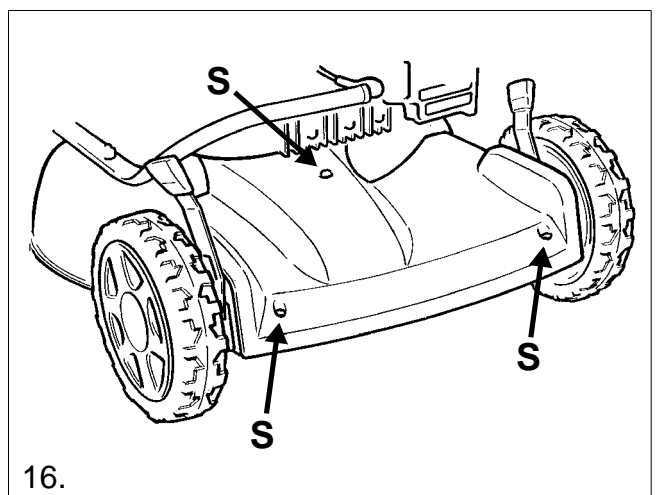
13. Honda



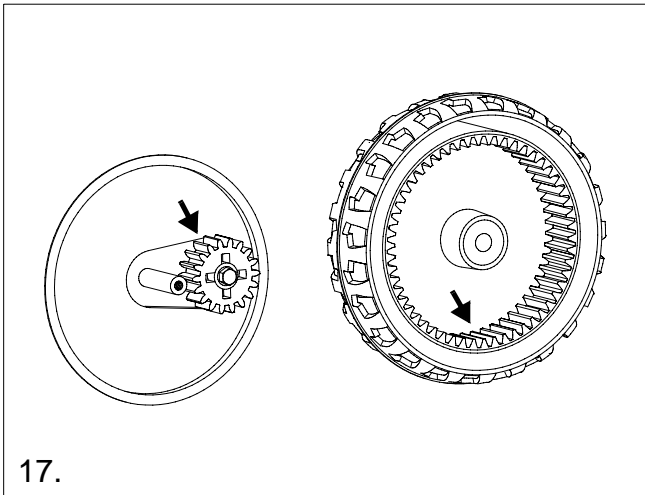
14.



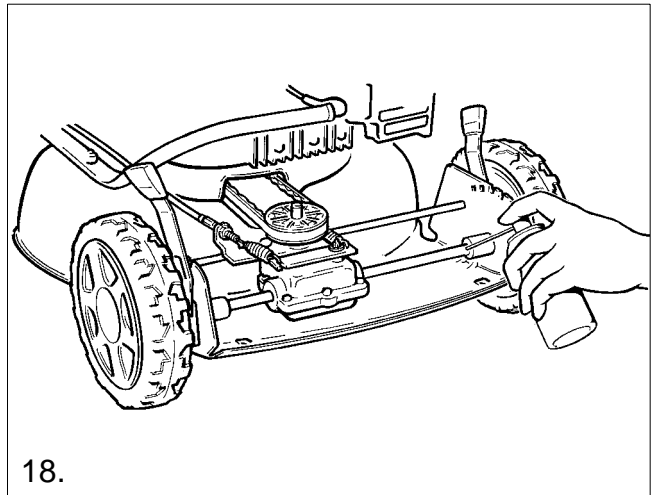
15.



16.



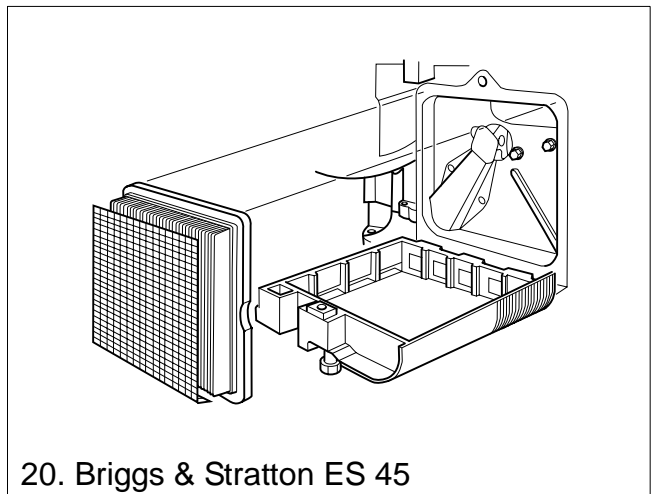
17.



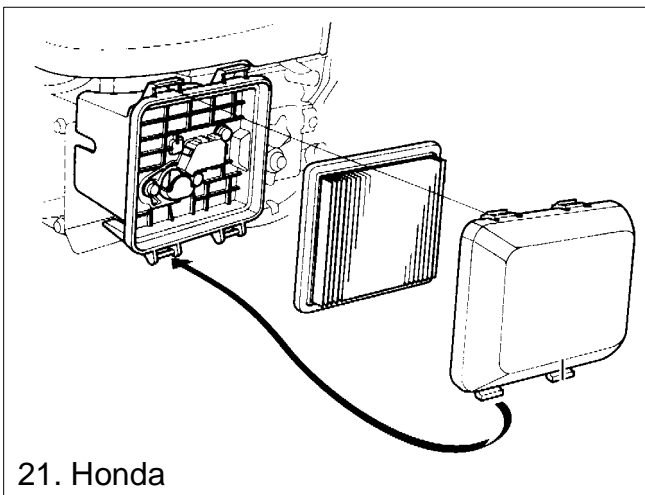
18.



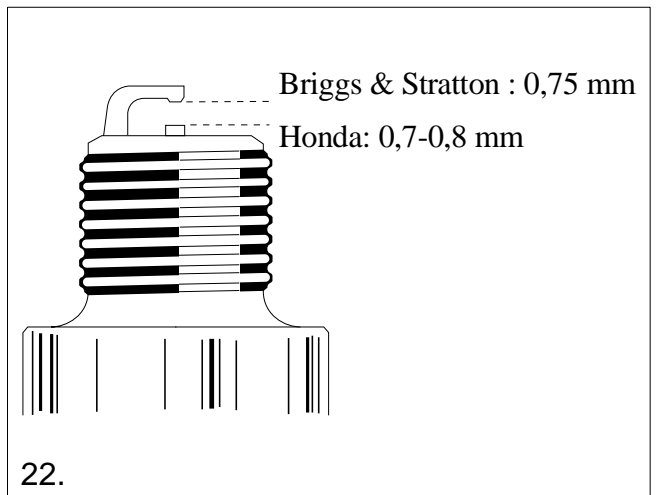
19. Briggs & Stratton LS 45



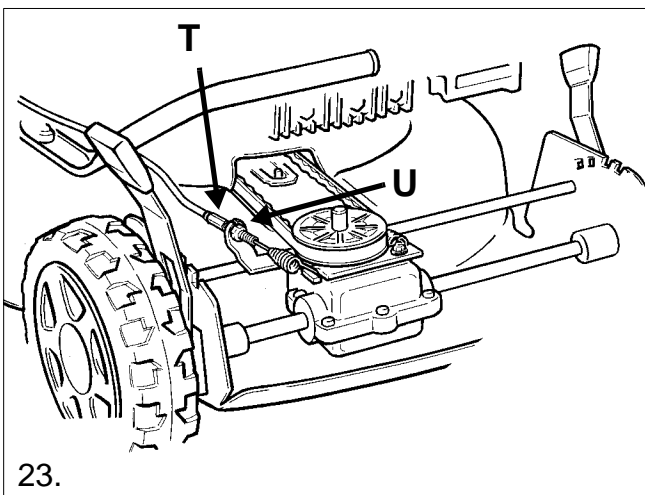
20. Briggs & Stratton ES 45



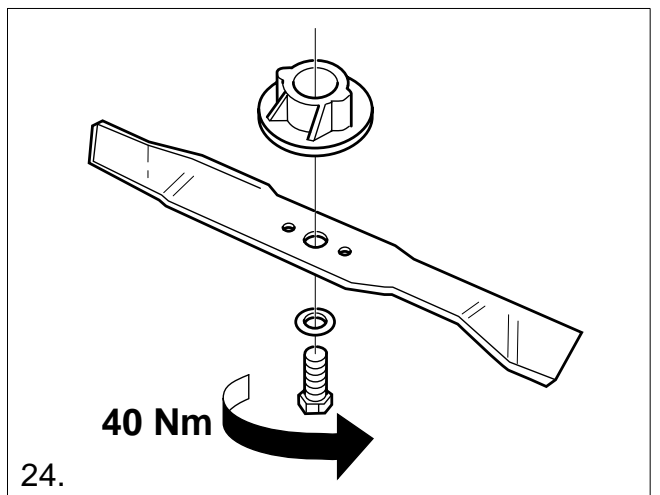
21. Honda



22.



23.



24.

SYMBOLS

The following symbols can be found on the machine to remind you of the care and attention that are required during use.

The symbols mean:



Warning! Read the Instruction Book and Safety Manual before using the machine.



Warning! Keep onlookers away. Beware of objects being flung out.



Warning! Do not insert your hands or feet under the deck when the machine is in operation.



Warning! Before starting any repair work, remove the spark plug cable from the spark plug.



IMPORTANT

Certain models do not have throttle control. The engine's speed is set for optimal function and minimal exhaust emissions.

INSTALLATION

HANDLE

Raise the upper part of the handle and place it behind the machine. Fold up the lower part of the handle and tighten the locking wheels **A** (fig. 1).

Then attach the upper part of the handle. There is also a lug on the right hand side for the starter handle (fig. 2).

Storage position: Release the locking wheels on the lower part of the handle and fold it forwards. Then release the locking wheels on the upper part of the handle and fold it backwards (fig. 3).

NOTE! Check that the wires are not caught or broken when the handle is unfolded or folded.

CONTROLS

Install the wires and electric cable (Multiclip 46 SE) in the cable holders **E** (fig. 4). Secure the starter handle in lug **F** on the right hand side of the handle.

BATTERY (Multiclip 46 SE)



The electrolyte in the battery is toxic and corrosive. It can cause serious corrosion damage etc. Avoid all contact with skin, eyes and clothing.

Before starting for the first time the battery should be charged for 24 hours, see further information under the heading MAINTENANCE, BATTERY.

USING THE MOWER

BEFORE STARTING

FILL THE CRANKCASE WITH OIL



The lawnmower is delivered without any oil in the engine crankcase. The crankcase must be filled with oil before the engine is started for the first time.

1. Remove the oil dipstick (fig. 6,7,8).
2. Fill the engine's crankcase with 0.55 litres of good quality oil (service class SE, SF or SG). Use SAE 30 or SAE 10W-30 oil.
3. Slowly fill to 'FULL/MAX'. Do not overfill.

CHECK THE OIL LEVEL

Check before using the machine that the oil level is between 'FULL/MAX' and 'ADD/MIN' on the dipstick. The mower should stand level.

Remove and wipe off the dipstick (fig. 6,7,8). Slide it down completely and tighten it. Unscrew and pull it up again. Read off the oil level. If the oil level is low, fill with oil up to the 'FULL/MAX' mark.

FILL UP THE PETROL TANK



Never remove the filler cap or fill with petrol while the engine is running or still warm.

Never completely fill the petrol tank. Allow a little room for the petrol to expand if necessary.


Preferably use an environmentally friendly petrol, i.e. alkylate petrol. This type of petrol has a composition that is less harmful to people and nature. It has e.g. no lead additives, no oxygenators (alcohols and ethers), no alkenes and no benzene.



NOTE! If you change to environmentally friendly petrol in an engine previously run on ordinary lead-free petrol (95), the petrol manufacturer's recommendations must be followed carefully.

Ordinary lead-free 95 octane petrol can also be used. You must never use 2-stroke petrol mixed with oil. NOTE! Bear in mind that ordinary lead-free petrol is a perishable; do not purchase more petrol than can be used within thirty days.

STARTING THE ENGINE (Briggs & Stratton)

1. Place the lawnmower on flat, firm ground. Do not start in long grass.
2. Make sure the spark plug cable is connected to the spark plug.
3. If the lawnmower is equipped with throttle control, set the throttle control **N** to full throttle  (fig. 9,10).
4. When starting a cold engine: Press down the primer fully 6 times (fig. 11,12).

When starting a warm engine the primer does not need to be used. If the engine stops due to a lack of fuel, refill and press down the primer 3 times.

5. Press the Start/Stop loop **G** towards the handle. NOTE! The Start/Stop loop **G** must be kept pressed in to prevent the engine stopping (fig. 9,10).
6. For ease of starting, press down the handle so that the front wheels lift slightly from the ground. Do not start in thick grass.

Multiclip 46 S Grasp the starter handle and start the engine by pulling briskly on the starter cord.

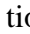
Multiclip 46 SE: Start the engine by turning the ignition key clockwise. Release the key as soon as the engine starts. Always make short attempts at starting in order to prevent the battery running down.

7. For the best mowing results, the engine should always be driven at full throttle.



Keep hands and feet away from the rotating blade(s). Never put your hand or foot under the blade casing or in the grass ejector while the engine is running.

STARTING THE ENGINE (Honda)

1. Place the lawn mower on flat, firm ground. Do not start in long grass.
2. Make sure the spark plug cable is connected to the spark plug.
3. Open the fuel tap (fig. 13).
4. Move the throttle control **N** to the choke position . NOTE! It is not necessary to use the choke position when the engine is warm (fig. 9).
5. Press the Start/Stop loop **G** towards the handle. NOTE! The Start/Stop loop **G** must be kept pressed in to prevent the engine stopping (fig. 9).
6. Grasp the starter handle and start the engine by pulling briskly on the starter cord.
7. When the engine starts, move the throttle control backwards until max. revs are obtained. NOTE! The engine should always be run at maximum revs to avoid abnormal machine vibrations.



Keep hands and feet away from the rotating blade(s). Never put your hand or foot under the blade casing while the engine is running.

ENGAGING/DISENGAGING THE DRIVE

Engage the drive by pressing the clutch loop **I** towards the handle. Disengage the drive by releasing the clutch loop **I** (fig. 9,10).

By pressing down the handlebar so that the driving wheels are raised slightly from the ground, turning, reversing, moving round trees etc. can be performed without having to disengage the drive system.

STOPPING THE ENGINE



The engine may be very warm immediately after it is shut off. Do not touch the silencer, cylinder or cooling flanges. This can cause burn injuries.

1. Release Start/Stop loop **G** to stop the engine (fig. 9,10). This loop must not be disengaged (e.g. by setting it in the depressed position against the handle), as it will not be possible to stop the engine.

Honda: Close the fuel tap.

2. If the lawnmower is left unattended, remove the spark plug cable from the spark plug.

Multiclip 46 SE: Also remove the starter key.



If the start/stop loop ceases to work, stop the engine by removing the spark plug cable from the spark plug. Immediately take the lawnmower to an authorised workshop for repair.

MOWING TIPS

Before mowing the lawn, take care to remove any stones, toys and other hard objects.

A machine with the MULTICLIP system cuts the grass, chops it finely and then blows it down into the lawn. The grass clippings need not be collected.

The following rules should be observed to give the best MULTICLIP effect:

1. Use a high engine speed (full throttle).
2. Do not cut the grass too short. Not more than 1/3rd of the length should be cut off.
3. Ensure that the area under the mower casing is always kept clean.
4. Always use a well-sharpened blade.
5. Avoid mowing when the grass is wet. The grass sticks more easily to the underside of the casing, giving poorer mowing results.

CUTTING HEIGHT



Shut off the engine before adjusting the cutting height.

Do not set the cutting height so low that the blades come into contact with uneven ground.

The lawnmower has rapid setting with 4 cutting heights on each wheel.

NOTE! The height setting operates in the opposite direction on the rear axle to the front axle. Make sure that you have the same cutting height set on all wheels (fig. 14).

MAINTENANCE



No servicing is to be carried out on the engine or mower unit without first switching off the engine and removing the spark plug cable from the spark plug.

Multiclip 46 SE: No servicing may be carried out on the engine or mower unit without disconnecting the battery terminal from the terminal on the motor (fig. 5).

Stop the engine and remove the spark plug cable if the mower is to be lifted, e.g. during transportation.

If the machine is to be tilted for blade changing, oil changing, cleaning etc. release the locking wheels and fold the handle forward, tip the mower backwards until the machine is resting on the handlebar (fig. 15).

CLEANING

After use, the mower should be cleaned. This is particularly important on the underside of the mower casing. Rinse clean with the garden hose. The mower will then last longer and work better.

NOTE! High-pressure washers should not be used. If grass has dried on to the mower casing, it can be scraped clean. If necessary, touch up the underside with paint to prevent rust damage.



Clean the silencer and the surrounding area regularly to remove grass, dirt and flammable waste products.

NOTE! Clean under the transmission casing once or twice a year. Set the lowest cutting height. Undo the screws and remove the transmission casing (fig. 16). Clean with brush or compressed air.

Once every season, the drive wheels should be cleaned internally. Remove the wheel cap, screw, washer and wheel. Clean the gear wheel and the wheel's gear rim of grass and dirt using a brush or compressed air (fig. 17). Replace the wheel.

COOLING SYSTEM

Before each use, the engine's cooling system must be cleaned. Clean the cylinder's cooling flanges and air intake of grass remains, dirt, etc.

LUBRICATION

Set the lowest cutting height. Remove the screws and dismantle the transmission casing. Lubricate the drive shaft at the glide bearings with oil/oil spray at least once per season (fig. 18).

OIL CHANGE



Change the oil when the engine is warm and the fuel tank is empty. In order to prevent burns, take care while draining as the oil is hot.

Change the oil the first time after 5 hours of operation, and subsequently every 50 hours of operation or once a season. Remove the dipstick, tilt the mower and let the oil run out into a container. Be careful not to let any oil run on to the grass.

Fill with new oil: Use SAE 30 or SAE 10W-30 oil. The crankcase holds approx. 0.55 litres. Fill until the oil reaches the "FULL/MAX" mark on the dipstick. Do not overfill.

AIR FILTER

A dirty and blocked air filter reduces the engine output and increases engine wear.

Briggs & Stratton LS 45: Carefully remove the air cleaner so that no dirt falls down into the carburettor (fig. 19). Remove the foam filter and wash it in liquid detergent and water. Dry the filter. Pour a little oil on the filter and squeeze it in. Reassemble the air cleaner.

Wash the filter every three months or after every 25 hours of use, whichever occurs first. More frequently if the engine is working on dusty ground.

Briggs & Stratton ES 45: Undo the screw and fold down the cover of the air cleaner. Carefully remove the filter cartridge (fig. 20). Knock it against a flat surface. Replace the filter cartridge with a new one if it is still dirty.

Clean the filter every three months or after every 25 hours of use, whichever occurs first. More often if the lawnmower is used on dusty ground.

Honda: Remove the cover and take out the filter. (fig. 21). Carefully check the filter for holes or other damage. A broken or damaged filter must be replaced.

To remove dirt, carefully knock the filter several times against a hard surface or use compressed air from the back of the filter to blow-clean. Do not try to brush the filter clean as this forces dirt down into the fibres. A very dirty filter should be replaced.

Clean the air filter after every 25 hours of operation or once a season. More frequently if the engine is working on dusty ground.

SPARK PLUG



Never remove the spark plug or spark plug cable when checking to see if there is a spark. Use an approved test instrument.

Clean the spark plug regularly (every 100 hours of operation). Use a wire brush for cleaning. Set the correct spark gap (fig. 22).

Change the spark plug if the electrodes are excessively burnt or if the plug is damaged. The engine manufacturers' recommendations are as follows:

Briggs & Stratton: Champion J19LM (RJ19LM), Spark gap 0.75 mm.

Honda: BPR6ES (NGK).
Spark gap 0.7-0.8 mm.

BATTERY (Multiclip 46 SE)



The electrolyte in the battery is toxic and corrosive. It can cause serious corrosion damage etc. Avoid all contact with skin, eyes and clothing.

In normal use during the season, the battery is charged by the engine. If the engine cannot be started with the ignition key, it may be because the battery is 'dead'. Connect the battery charger to the terminal on the battery and charge for 24 hours (fig. 5). On completion of charging, connect the battery terminal to the terminal on the engine.

NOTE! The battery charger must not be connected directly to the engine terminal. It is not possible to start the engine with the charger as the power source and the charger could be damaged.

WINTER STORAGE

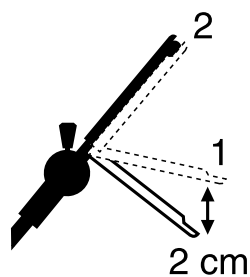
Store the lawnmower for the winter with the battery well-charged in a dry and cool place (between 0°C and +15°C). The battery should be maintenance-charged at least once during the winter storage period. Before the start of the season, the battery should be charged once again for 24 hours.

ADJUSTING CLUTCH CABLE

If the drive does not engage when the clutch loop is pressed against the handle, or if the lawnmower feels cumbersome or slow, this may be because the clutch in the transmission is slipping. To rectify this situation adjust the clutch cable.

Adjust as follows:

1. Remove the transmission casing by removing the screws **S** (fig. 16).
2. When the clutch loop is released, it should be possible to pull the mower backwards without resistance. If this is not the case, then remove the locking nut **U** and screw in the nipple **T** until the machine can be rolled backwards (fig. 23).



3. When the clutch loop is pressed in approx. 2 cm (position 1), there should be some resistance when pulling the machine backwards. With the clutch loop fully pressed in (position 2), it should not be possible to pull the machine backwards. Undo the locking nut **U** and unscrew the nipple **T** until this position is reached.

4. Finally tighten the locking nut **U**.

CHANGING BLADES



Wear protective gloves when changing blade(s) to avoid cutting yourself.

Blunt and damaged blades tear up the grass and make the lawn unsightly after mowing. New well-sharpened blades cut off the grass. This gives a green and fresh appearance after mowing.

Always check the blade after an impact. First disconnect the spark plug cable. If the blade system has been damaged, defective parts should be replaced. Always use genuine spare parts.

To replace the blade, slacken the screw. Fit the new blade so that the stamped STIGA logo is facing the blade holder (not facing the grass). Reinstall the washer and screw. Tighten the screw properly. Tightening torque 40 Nm (fig. 24).

When replacing the blade, the blade screw should also be replaced.

The guarantee does not cover damage to the blade, blade holder or engine caused by running into obstacles.

When replacing the blade, blade holder and blade screw, always use genuine spare parts. Non-genuine spare parts can entail a risk of injury or damage, even if they fit the machine.

SHARPENING THE BLADES

Sharpening of the blades must be performed by wet grinding, using a whetstone or a grindstone.

For safety reasons, the blades should not be sharpened on an emery wheel. Too high temperature could cause the blade to become brittle.



Once the blade has been sharpened, it must then be balanced to avoid vibration damage.

STORAGE

WINTER STORAGE

Empty the fuel tank. Start the engine and let it run until it stops. The same petrol must not remain in the tank for more than one month.

Tip up the mower and unscrew the spark plug. Pour a tablespoon of engine oil into the spark plug hole. Pull out the starter handle slowly so that the oil is distributed in the cylinder. Screw in the spark plug.

Thoroughly clean the mower and store it indoors in a dry place.

SERVICING

Genuine spare parts are supplied by service workshops and by many dealers.

A list of these can be found on STIGA's Internet website at: www.stiga.se (See under the heading "Dealers & Service").